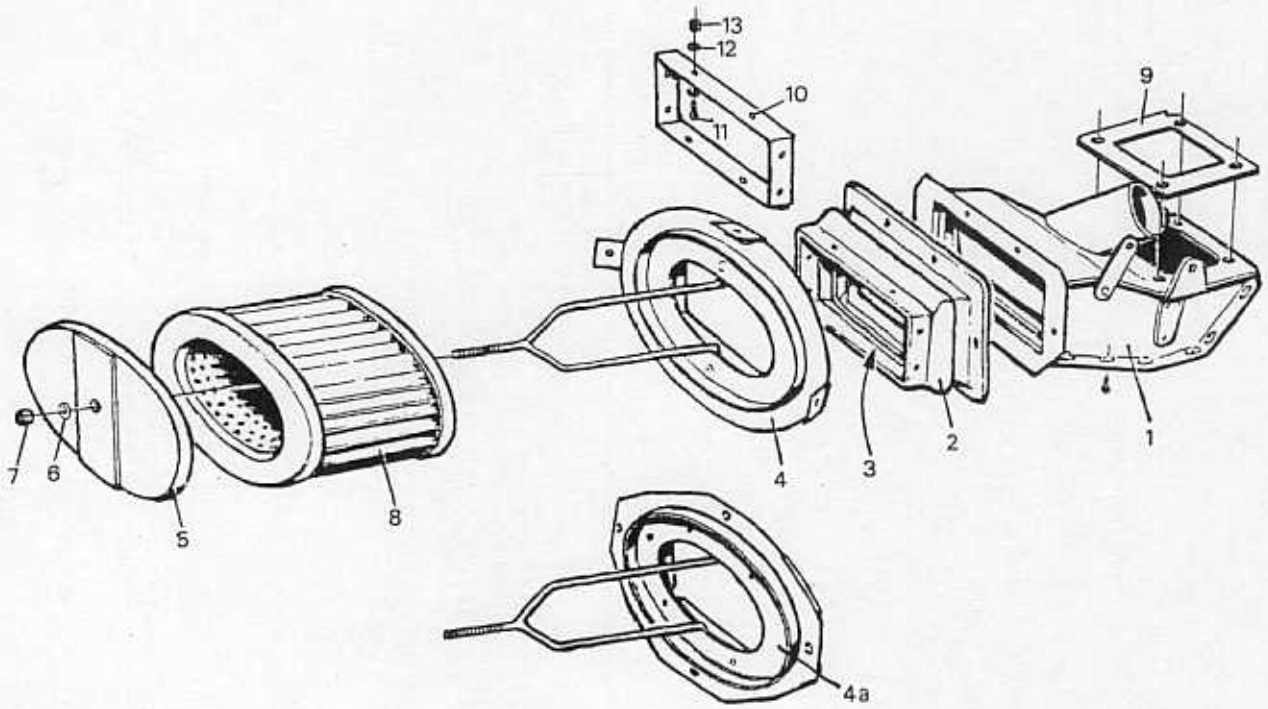
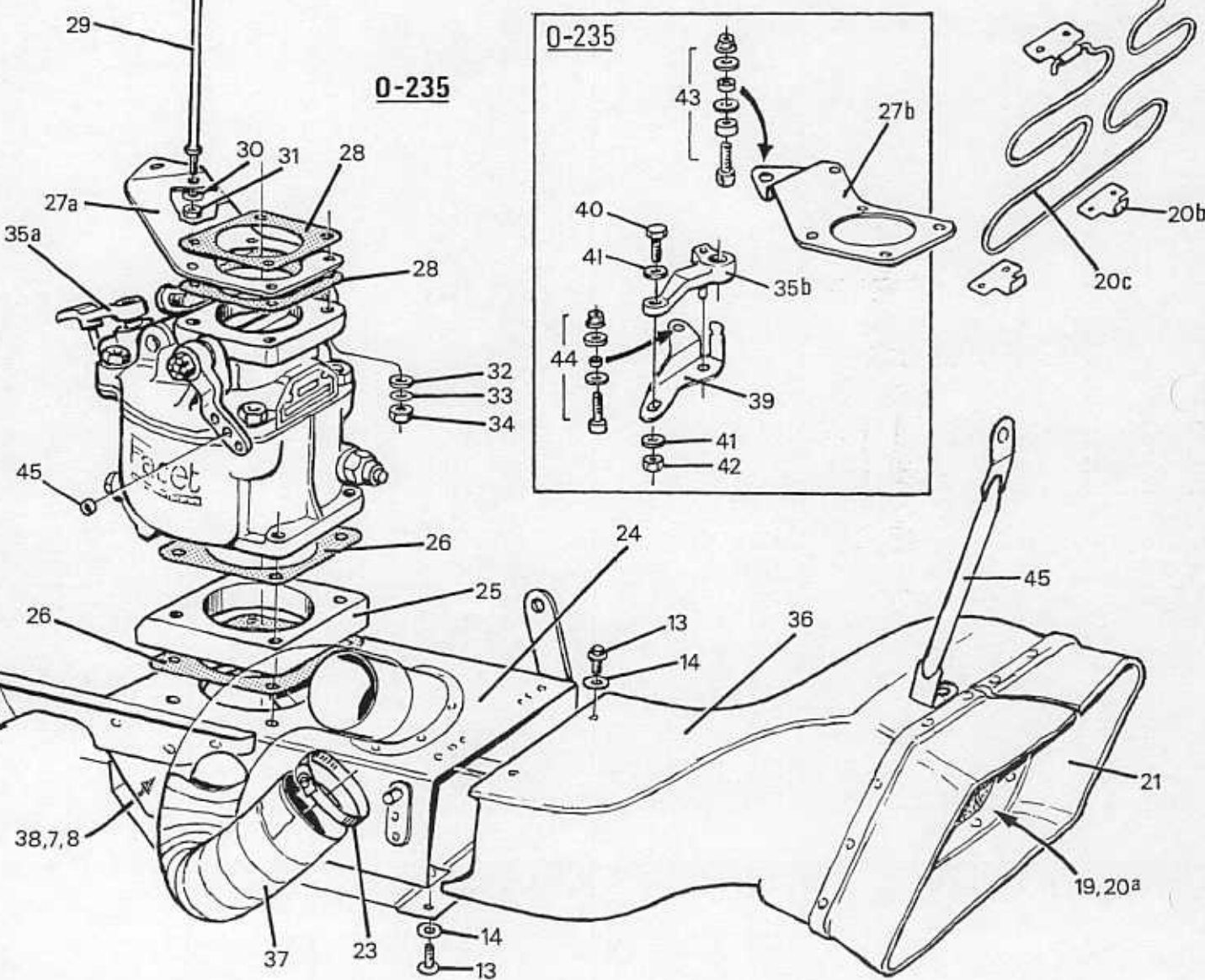
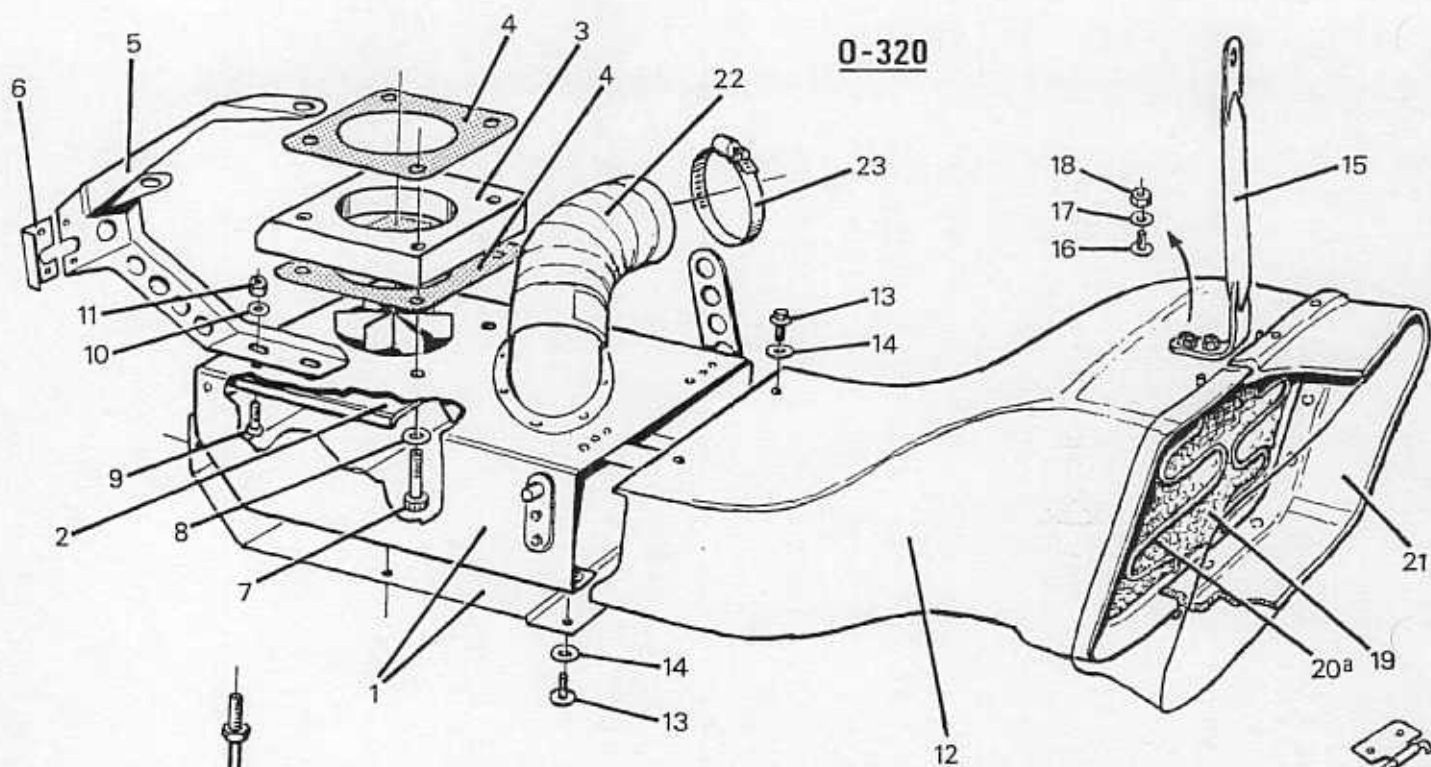


<u>FIGURE-Index N°</u>	<u>PART N°</u>	<u>DESCRIPTION</u>	<u>Models affected, remarks</u>
CARBURATOR INTAKE BOX			before 1988
301	- 1	56 26 16 010 Air intake box assy.....	All except 180 R,
	- 1a	56 26 16 024 Inlet valve & actuating shaft (repair kit)	" " "
	- 2	56 23 01 090 Casing, filter.....	100 & 120
	- 3	56 23 01 020 Nozzle, air intake.....	All except 180 R
	- 4	56 23 04 000 Plate, filter securing	" " "
	- 5	95 13 31 000 Screw	" " "
	- 6	56 23 04 010 Spacer	" " "
	- 7	95 62 01 040 Washer	" " "
	- 8	95 24 03 000 Nut, self-locking	" " "
	- 9	56 23 02 000 Filter element.....	" " "
	- 10	95 13 34 000 Screw	" " "
	- 11	95 61 02 000 Washer	" " "
	- 12	95 13 36 000 Screw	" " "
	- 13	95 61 02 000 Washer	" " "
	- 14	95 24 02 000 Nut , self-locking	" " "
	- 15	56 27 06 000 Bracket, filter casing supporting (incl. part 16).....	" " "
	- 17	95 13 34 000 Screw	" " "
	- 18	95 61 02 000 Washer	" " "
	- 19	95 24 02 000 Nut, self-locking	" " "
	- 20	95 13 34 000 Screw	" " "
	- 21	95 61 02 000 Washer	" " "
	- 22	56 23 01 100 Casing, filter	140 & 160
	- 23	56 15 01 010 Air intake box assy, including parts (25) & (26).....	180 & 180 R, before 1980
	- 23a	56 15 01 120 Inlet valve & actuating shaft (repair kit)	" " " " " "
	- 24	56 11 13 000 Filter element.....	" " " " " "
	- 25	56 28 07 150 Diaphragm (delivered with air intake box)	" " " " " "
	- 26	56 28 07 120 Cover plate (delivered with air intake box).....	" " " " " "
	- 27	95 13 33 000 Screw	" " " " " "
	- 28	56 15 01 110 Screen	" " " " " "
	- 29	95 57 01 000 Screw	" " " " " "
	- 30	71 26 51 020 Hose, carbu. heat	All models
	- 31	71 21 03 000 Clamp	" "
	- 32	57 12 04 000 Control, push-pull, carbu heat.....	" "
	- 33	57 12 57 000 Clamp, control casing.....	" "
	- 34	95 13 17 000 Screw, drilled, cable clamp.....	" "
	- 35	56 15 01 000 Air intake box assy.....	180 & 180 R, 1980 ? 1985
	- 35a	56 26 01 150 Inlet valve & actuating shaft (repair kit)	" " " " "
	- 36	56 28 10 000 Filter element.....	" " " " "
	- 37	56 34 04 010 Gasket.....	" " " " "
	- 38	52 26 18 000 Gasket.....	" " " " "
	- 39	95 61 03 000 Washer	" " " " "
	- 40	95 24 03 000 Nut , self-locking	" " " " "
	- 41	57 18 01 001 Spacer	" " " " "
	- 42	57 18 01 003 Spacer	" " " " "
	- 43	71 28 60 000 Clamp	" " " " "



<u>FIGURE-Index N°</u>	<u>PART N°</u>	<u>DESCRIPTION</u>	<u>Models affected, remarks</u>
CARBURATOR INTAKE BOX			180 & 180 R
302	- 1	56 26 20 000 Intake box assembly	from 1985 to 1988
	- 2	56 36 12 001 Sleeve, coupling, rubber.....	
	- 3	56 36 14 001 Strip, reinforcing	
	- 4	56 26 21 010 Filter mounting (superseded by part 4a)	not procurable
	- 4a	56 18 02 000 Filter mounting (supersedes part 4)	
	- 5	56 34 14 030 Cover	
	- 6	95 61 03 000 Washer	
	- 7	95 24 03 000 Nut.....	
	- 8	57 34 00 010 Filter element.....	
	- 9	56 33 00 200 Gasket.....	
	- 10	56 36 24 010 Securing strip.....	
	- 11	95 43 08 030 Screw	
	- 12	95 61 03 000 Washer	
	- 13	95 24 02 000 Nut.....	



<u>FIGURE-Index N°</u>	<u>PART N°</u>	<u>DESCRIPTION</u>	<u>Models affected, remarks</u>
CARBURATOR INTAKE BOX			1993 ?
303	- 1	56 18 12 050 Intake box assy, for O-320.....	140B, 160
	- 2	56 18 26 130 Inner reinforcing plate.....	"
	- 3	56 46 21 010 Shim.....	"
	- 4	52 26 18 000 Gasket.....	"
	- 5	57 18 18 010 Bracket, controls supporting.....	"
	- 6	57 33 04 000 Clamp, throttle control stop.....	"
	- 7a	56 46 10 130 Screw (front).....	"
	- 7b	56 46 10 140 Screw (rear).....	"
	- 8	95 61 05 000 Washer.....	"
	- 9	95 13 34 000 Screw.....	"
	- 10	95 61 09 000 Washer.....	"
	- 11	95 24 35 000 Nut.....	"
	- 12	56 18 68 320 Duct, air intake.....	"
	- 13	95 11 02 020 Screw.....	"
	- 14	95 61 09 000 Washer.....	"
	- 15	56 18 28 010 Tube, intake duct supporting.....	"
	- 16	95 43 08 020 Screw.....	"
	- 17	95 61 09 000 Washer.....	"
	- 18	95 24 35 000 Nut.....	"
	- 19	56 18 08 015 Filter element.....	"
	- 20a	56 18 14 020 Spring, filter securing (superseded by parts 20b & 20c).....	All, except 200 hp models
	- 20b	56 18 37 010 Spring, filter securing, whit hinges.....	" " " " "
	- 20c	56 18 37 050 Plate, spring stop.....	" " " " "
	- 21	43 11 07 500 Gasket.....	140B, 160"
	- 22	71 18 14 000 Hose, heated air intake (length : 750 mm).....	"
	- 23	71 21 03 000 Clamp.....	"
	- 24	56 18 12 010 Intake box assy, for O-235.....	120
	- 25	56 46 21 010 Shim.....	"
	- 26	52 26 18 000 Gasket.....	"
	- 27a	57 14 53 000 Bracket, mixture control supporting.....	" (? 1996)
	- 27b	57 14 53 000 Bracket, mixture control supporting.....	" (1996?)
	- 28	52 26 08 000 Gasket.....	"
	- 29	57 11 03 000 Rod.....	"
	- 30	95 61 03 000 Washer.....	"
	- 31	95 24 36 000 Nut.....	"
	- 32	Lycoming Washer.....	all
	- 33	Lycoming Washer.....	all
	- 34	Lycoming Nut.....	all
	- 35a	— Lever, mixture control (modified Lycoming part) Not procurable	120 (superdseded by parts.35b+39)
	- 35b	Lycoming Lever, mixture control.....	120
	- 36	56 18 13 010 Duct, air intake.....	"
	- 37	71 26 51 020 Hose, heated air intake (length : 520 mm).....	"
	- 38	56 18 26 100 Plate, inner reinforcing, O-235.....	"
	- 39	57 18 12 030 Adaptater, mixture control lever.....	"
	- 40	95 13 01 020 Screw.....	"
	- 41	95 61 04 000 Washer.....	"
	- 42	95 24 37 000 Nut.....	"
	- 43	— Casing clamp assy, mixture control, including:	
		56 12 58 000 ? Screw & cup.....	"
		71 20 50 000 ? Spacer bushing.....	"
		95 61 04 000 ? Washer.....	"
		95 24 03 000 ? Nut.....	"
	- 44	— Wire clamp assy, mixture control, including:	
		71 34 00 320 ? Screw, drilled.....	"
		95 61 09 000 ? Spacer bushing.....	"
		57 12 09 000 ? Washer.....	"
		95 24 02 000 ? Nut.....	"
	- 45	56 18 26 050 Bearing, set of two (for repair).....	"
	- 46	56 18 38 010 Tube, intake duct supporting.....	120

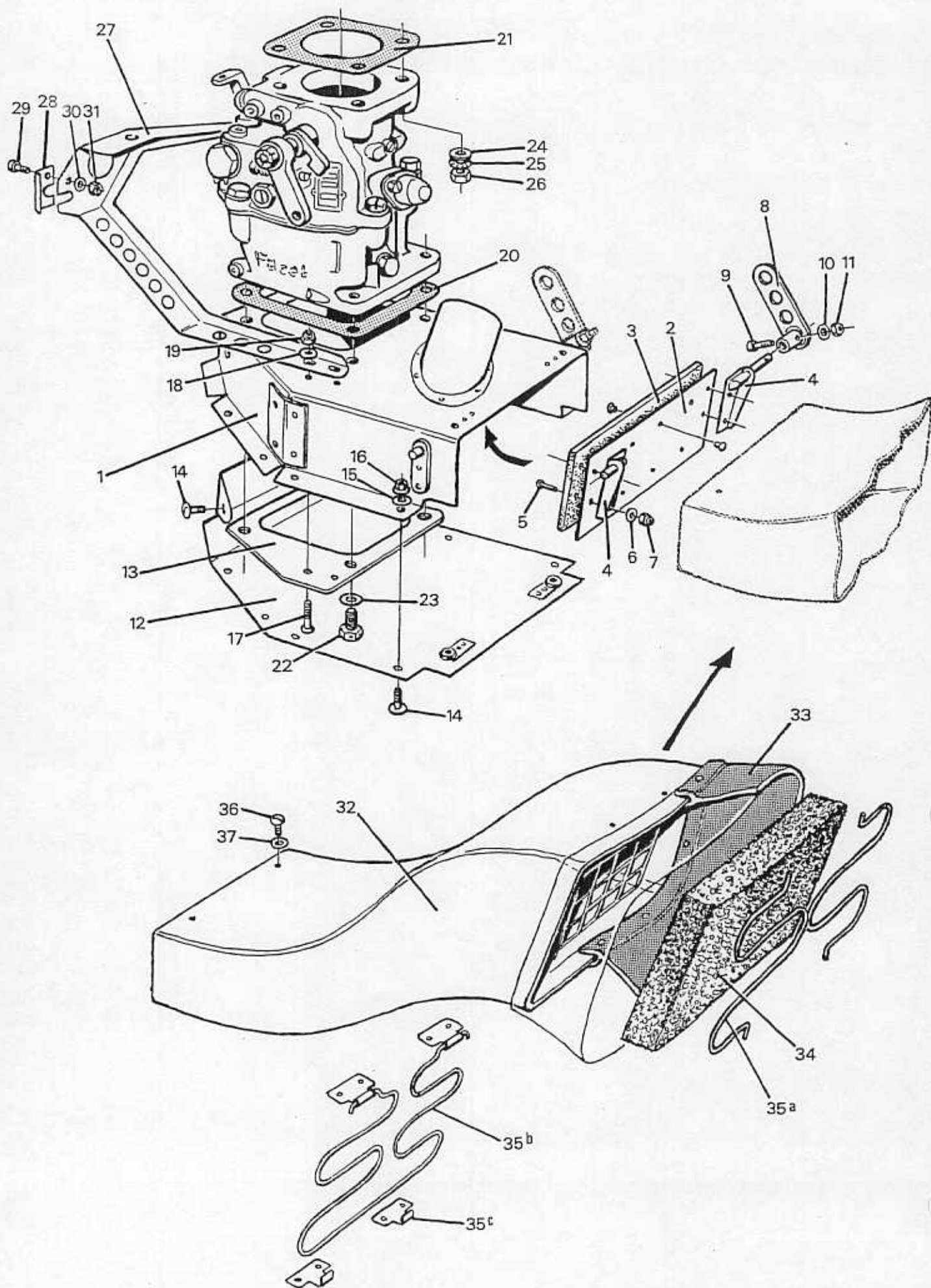


FIGURE-Index N° PART N° DESCRIPTION Models affected, remarks

CARBURATOR INTAKE BOX, O-360

(1993 ?)
180 (S/N 2216 ?) 180R (S/N 2207?)

304

- 0	56 18 65 000	Intake box assy (parts 1 thru 16)
- 1	56 18 65 000	Box.....
- 2	56 18 67 050	Plate, valve.....
- 3	95 94 90 010	Felt.....
- 4	56 18 26 010	Bracket, hinge (set of LH & RH).....
- 5	95 14 01 000	Screw
- 6	95 61 08 000	Washer
- 7	95 24 01 000	Nut.....
- 8	56 18 26 030	Lever, control.....
- 9	95 13 32 000	Screw
- 10	95 61 08 000	Washer
- 11	95 24 01 000	Nut.....
- 12	56 18 67 010	Plate, cover.....
- 13	56 18 67 030	Plate, reinforcement.....
- 14	95 43 08 020	Screw
- 15	95 61 09 000	Washer
- 16	95 24 35 000	Nut.....
- 17	95 13 34 000	Screw
- 18	95 61 09 000	Washer
- 19	95 24 35 000	Nut.....
- 20	56 34 04 010	Gasket.....
- 21	52 11 66 000	Gasket.....
- 22	54 11 02 000	Screw
- 23	95 61 05 000	Washer
- 24	Lycoming	Washer
- 25	Lycoming	Washer, lock
- 26	Lycoming	Nut.....
- 27	57 18 03 020	Bracket, controls supporting.....
- 28	57 33 04 000	Clamp
- 29	95 13 33 000	Screw
- 30	95 61 09 000	Washer
- 31	95 24 35 000	Nut.....
- 32	56 18 68 360	Duct, air intake
- 33	43 11 07 500	Seal.....
- 34a	56 18 08 015	Filter element (standard).....
- 34b	56 18 72 000	Filter element (heavy duty)
- 35a	56 18 14 020	Spring, filter securing (superseded by parts 20b & 20c)
- 35b	56 18 37 010	Spring, filter securing, with hinges
- 35c	56 18 37 050	Plate, spring stop
- 36	95 11 02 020	Screw
- 37	95 61 09 000	Washer
- 38	56 18 26 050	Bearing. (set of two, for repair)
- 39	57 18 04 003	Bushing, spacer.....